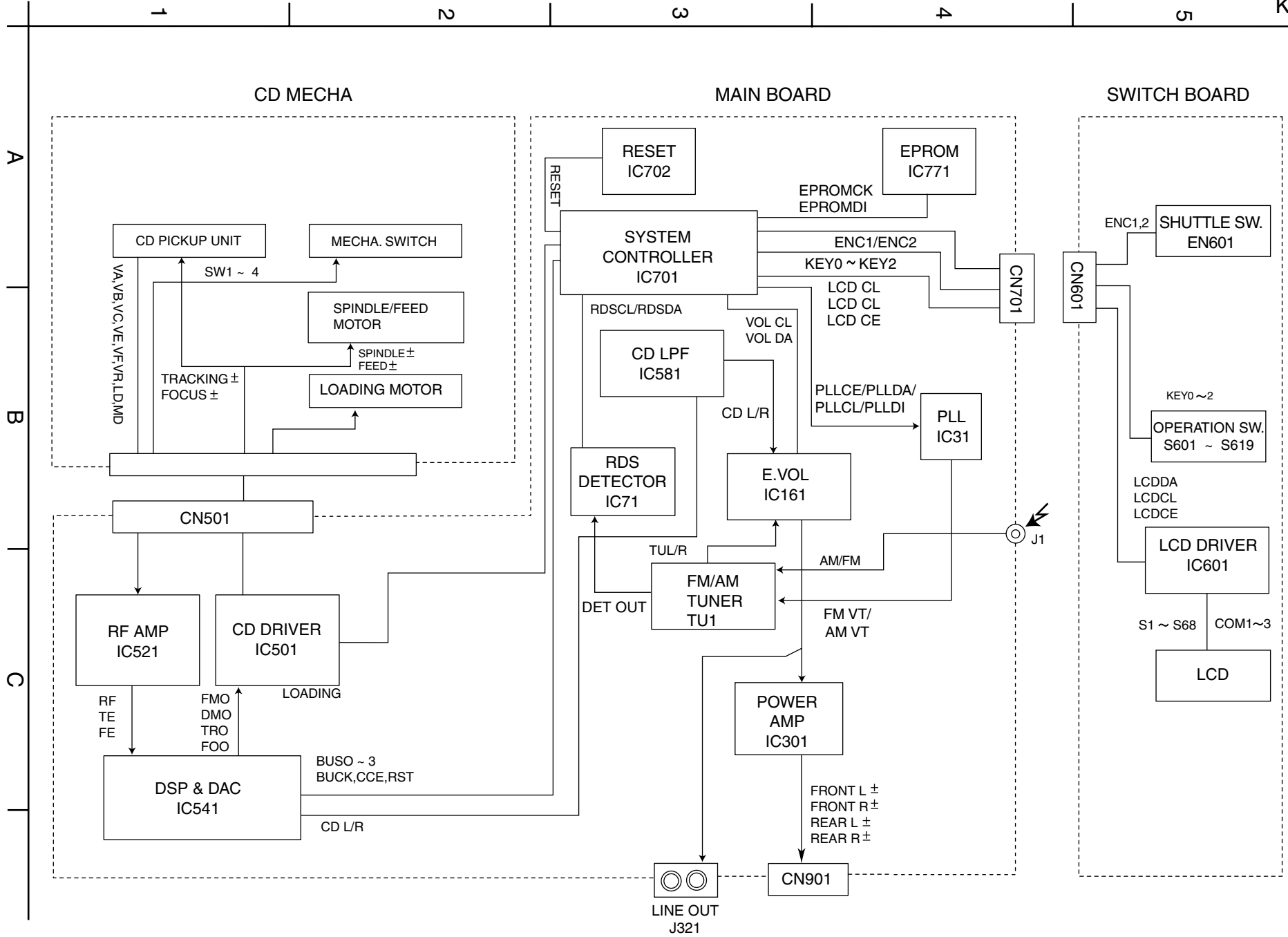


Block diagram



< M E M O >

Standard schematic diagrams

Main amp.section

- NOTES
1. VOLTAGES ARE DC-MEASURED WITH A DIGITAL VOLT METER WITHOUT INPUT SIGNAL CONDITION—FM MODE. □ AM MODE. () CD MODE.
 2. UNLESS OTHERWISE SPECIFIED, ALL RESISTORS ARE 1/10W ±5% METAL GLAZE RESISTOR. ALL CAPACITORS ARE 50V OR 25V CERAMIC CAPACITOR. ALL RESISTANCE VALUES ARE IN OHM. ALL CAPACITANCE VALUES ARE IN uF(P/PF) ALL E. CAPACITORS ARE SHOWN IN THE FORM OF CAPACITANCE(uF)/RATED VOLTAGE(V) TF --- T. F. CAPACITOR
 3. COMPONENTS IN () INDICATE NOT USE.

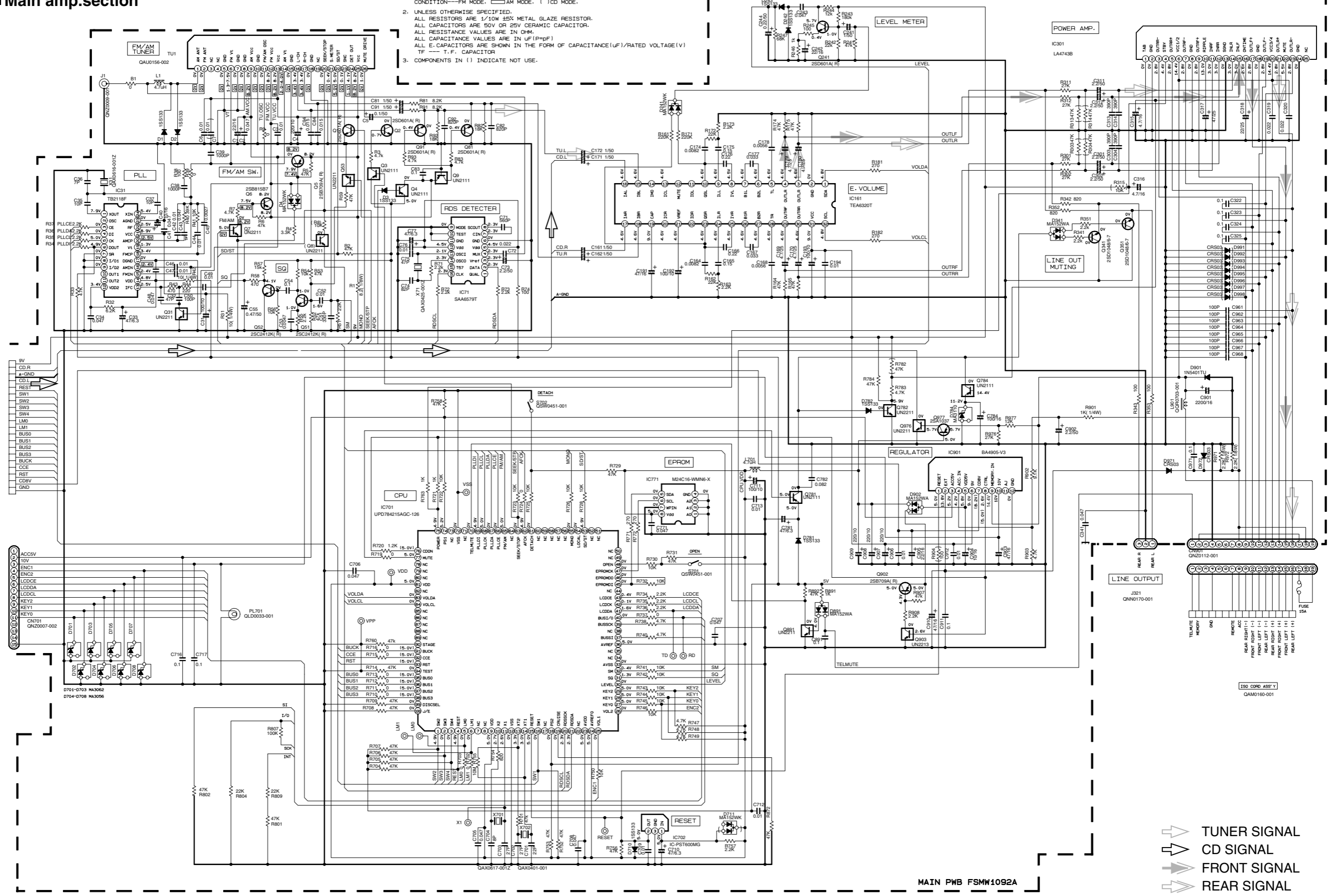
5

4

3

2

1



- ➔ TUNER SIGNAL
- ➔ CD SIGNAL
- ➔ FRONT SIGNAL
- ➔ REAR SIGNAL

CD servo,LCD & Key control section

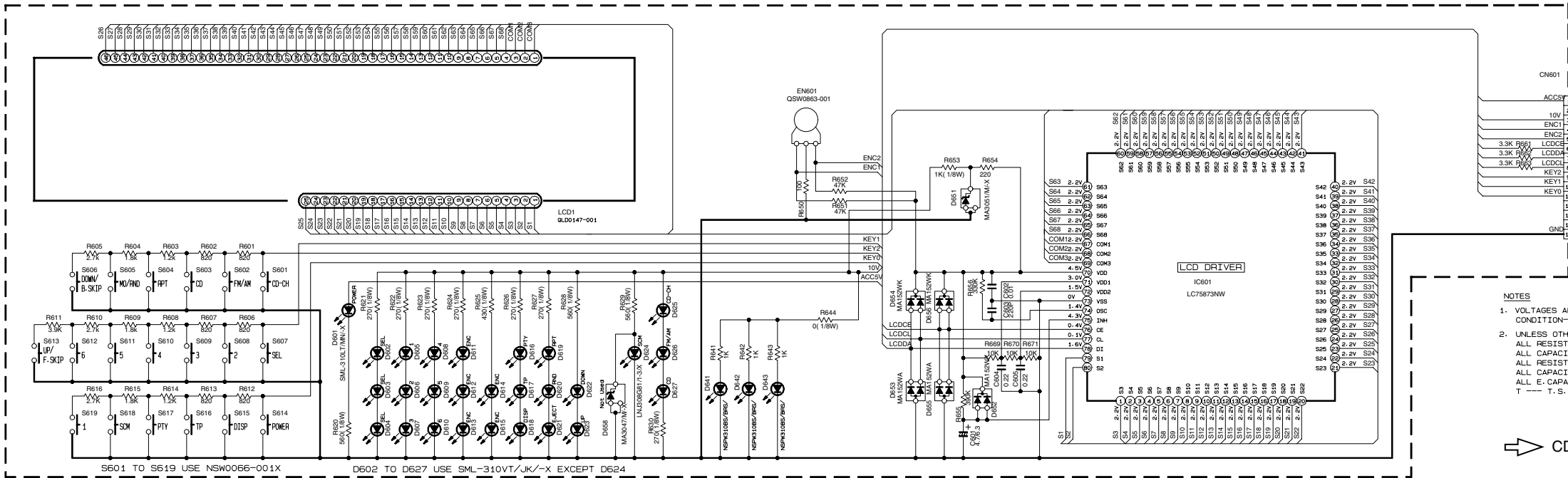
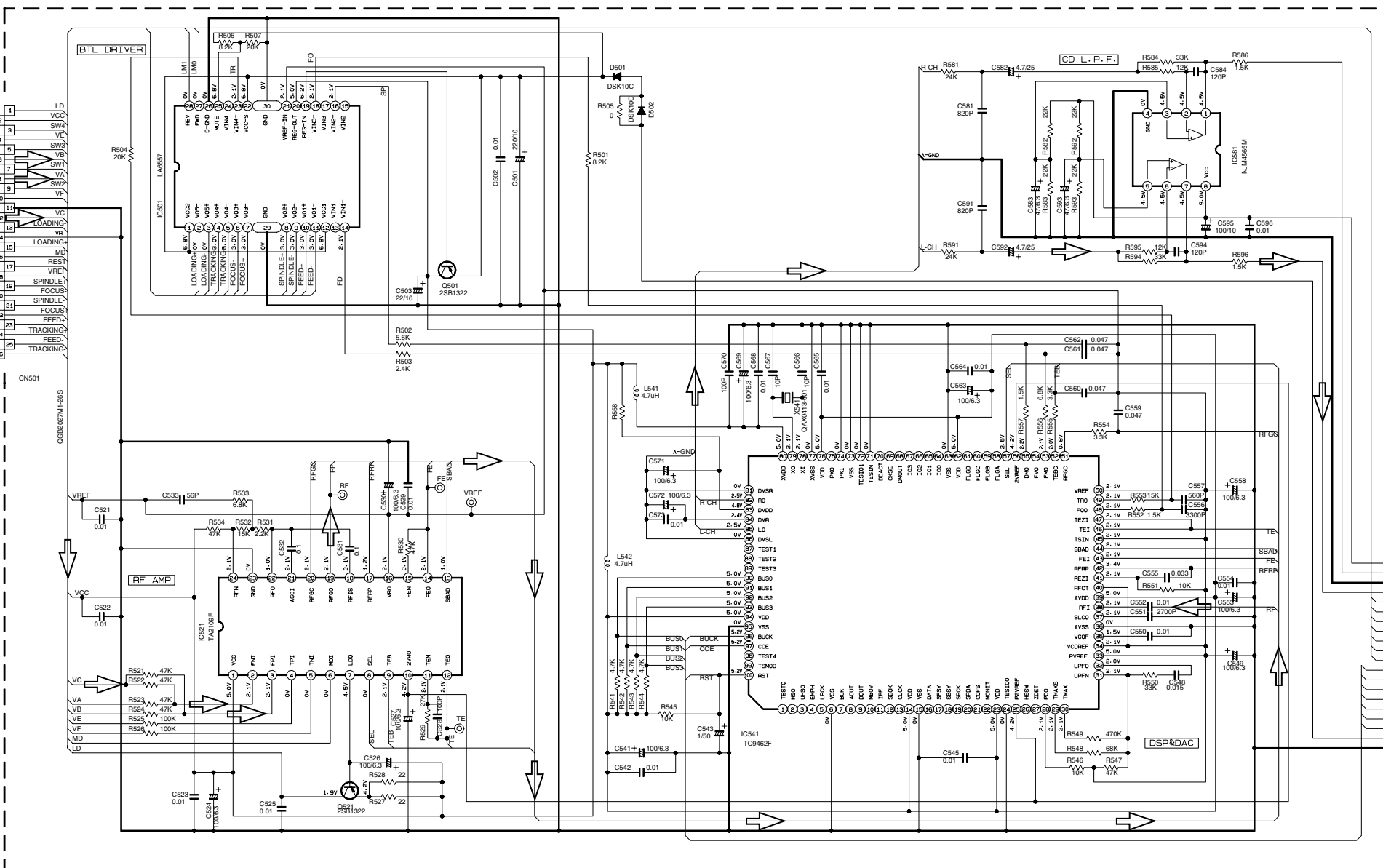
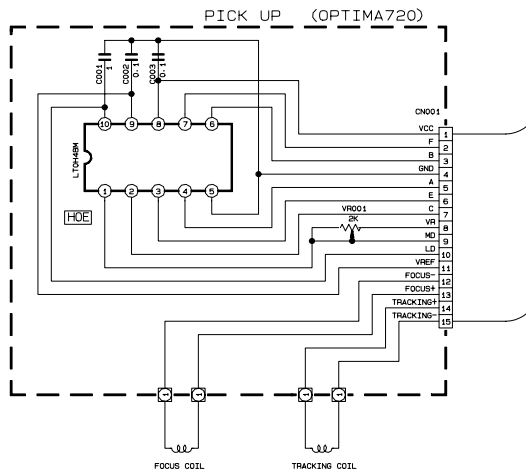
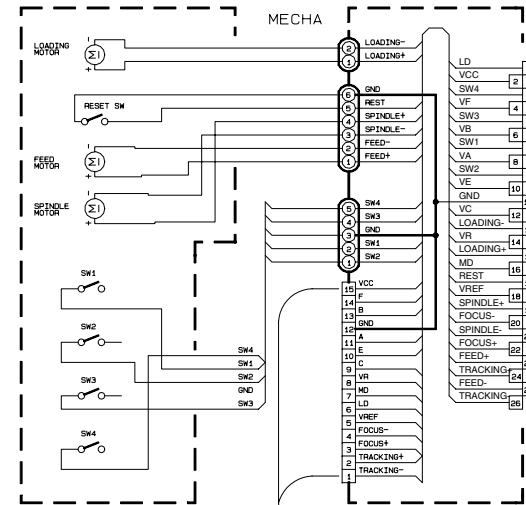
5

4

3

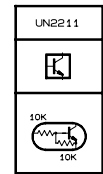
2

1



MODEL NAME SWITCHBOARD

KD-S9R OPEN-SMP28-B

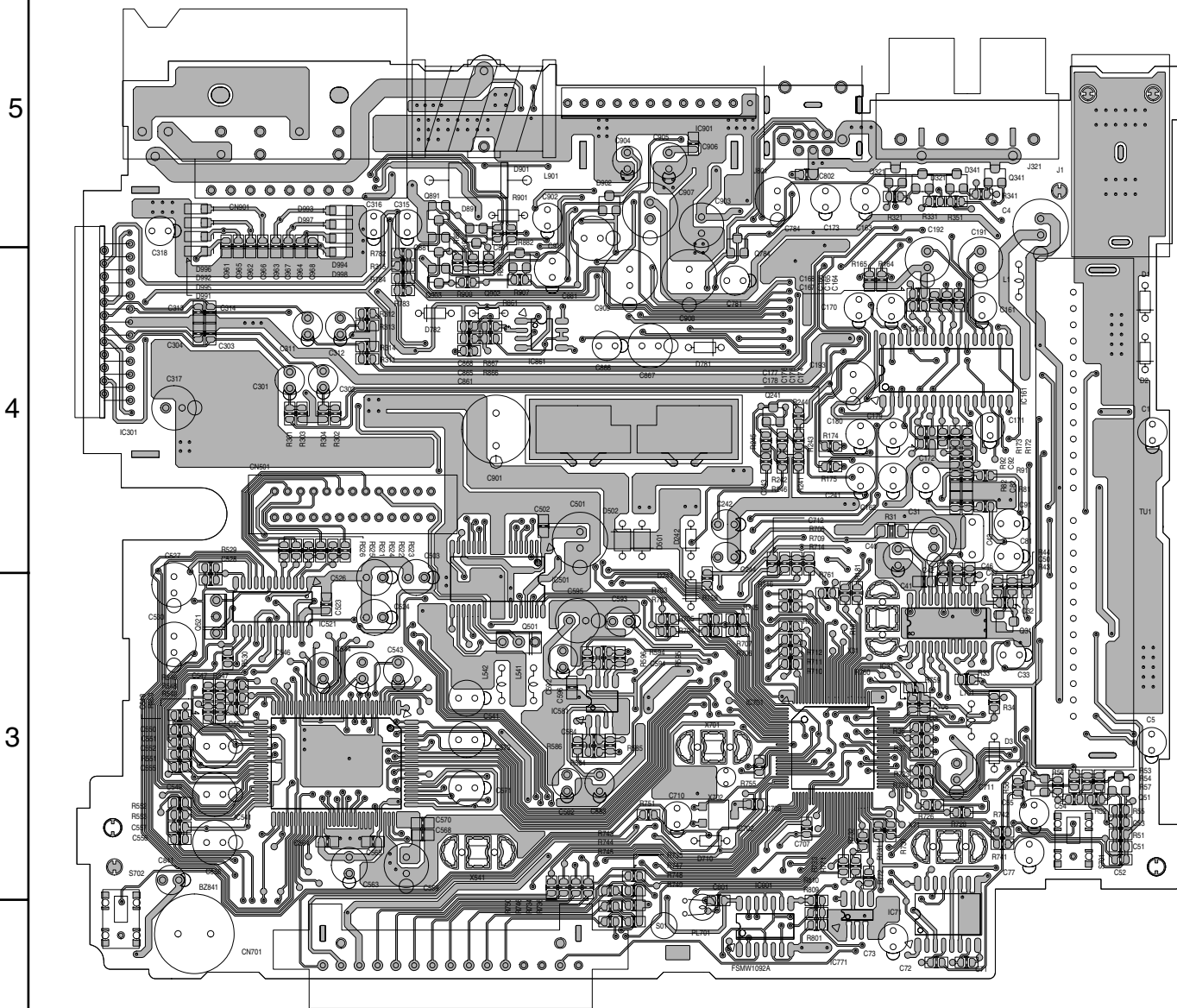


- NOTES
- VOLTAGES ARE DC-MEASURED WITH A DIGITAL VOLT METER WITHOUT INPUT SIGNAL CONDITION—CD MODE.
 - UNLESS OTHERWISE SPECIFIED, ALL RESISTORS ARE 1/10W ±5% METAL GLAZE RESISTOR. ALL CAPACITORS ARE 50V OR 25V 0.1μF CERAMIC CAPACITOR. ALL RESISTANCE VALUES ARE IN OHM. ALL CAPACITANCE VALUES ARE IN μF(PμF). ALL CAPACITORS ARE SHOWN IN THE FORM OF CAPACITANCE(μF)/RATED VOLTAGE(V) T—T.S.E CAPACITOR

CD SIGNAL

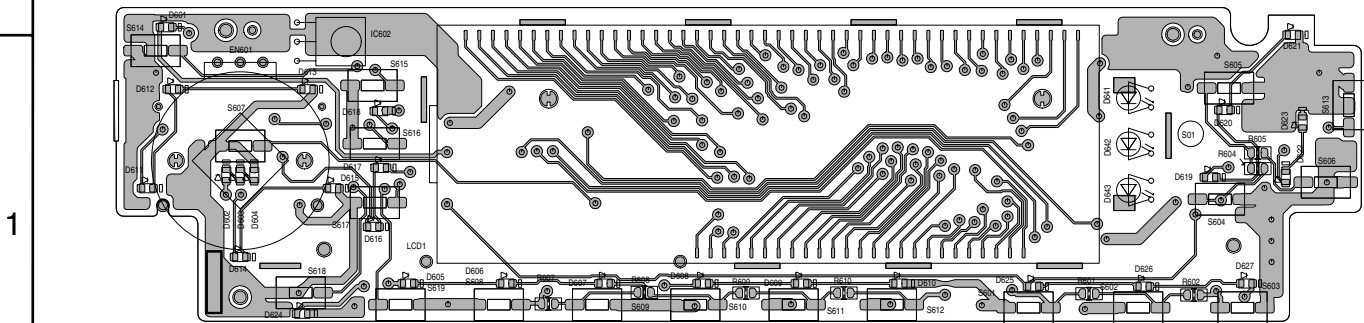
Printed circuit boards

■ Main board (Forward side)



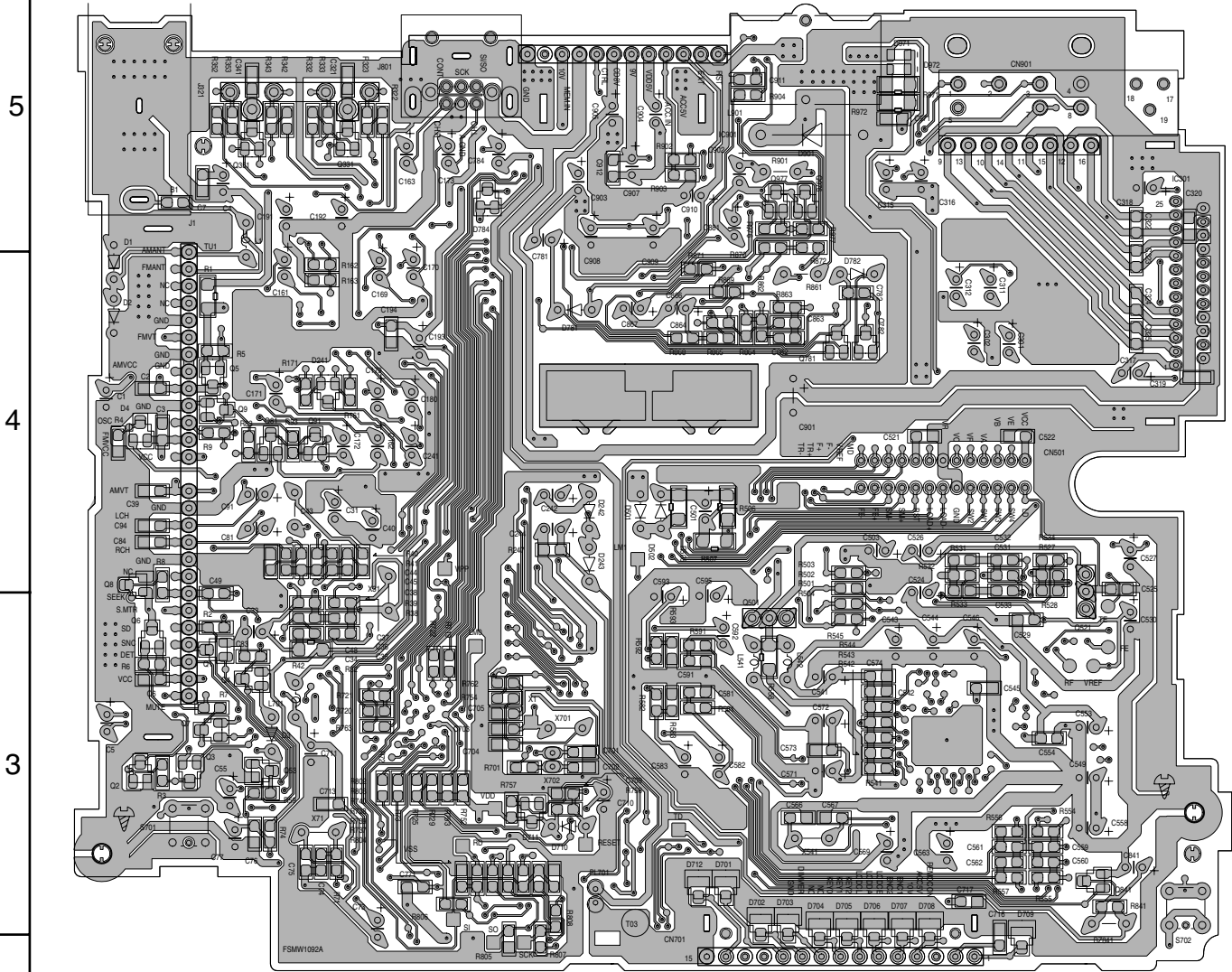
Note:KD-S9R
/d2/c/jes/s9rpbw/1092mo

■ Switch board (Forward side)



Note:KD-S9R
/d2/c/jes/s9rpbw/1081mo

■ Main board (Reverse side)



■ Switch board (Reverse side)

